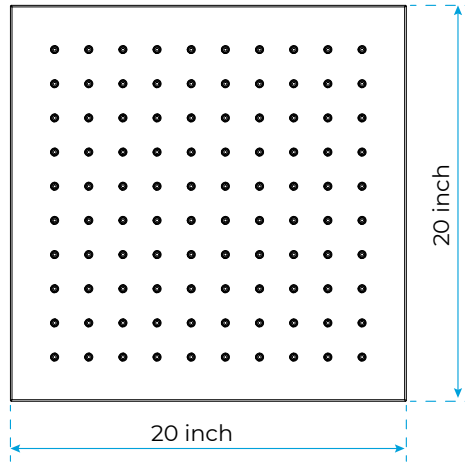


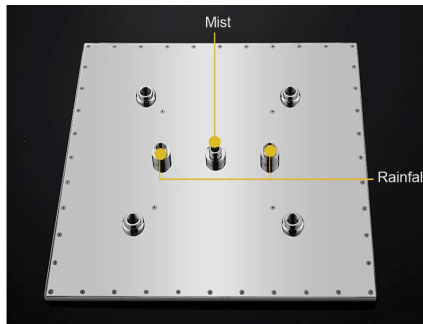
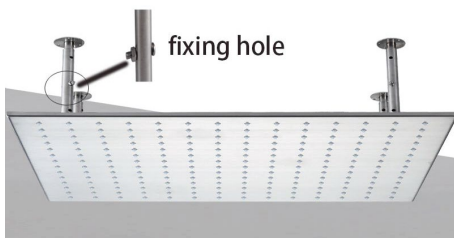
# 20" THERMOSTATIC MIST RAINFALL SHOWER SYSTEM WITH HANDHELD SHOWER SPECIFICATIONS



## Shower Head



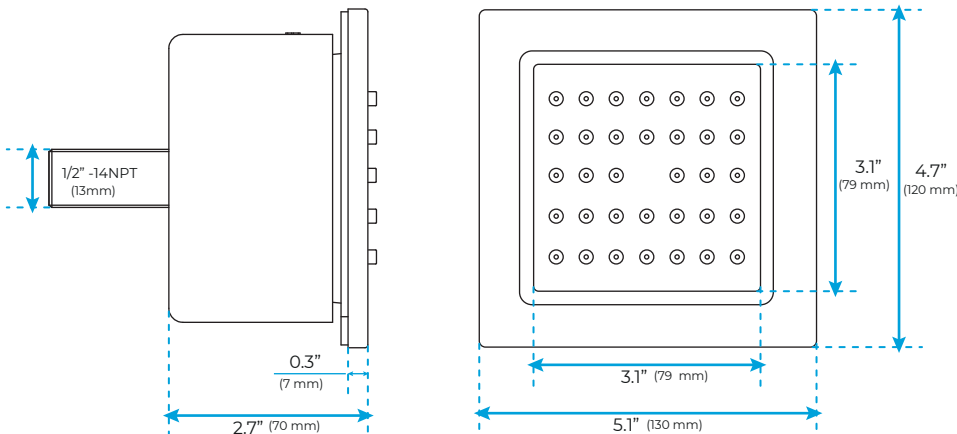
1/2" NPT inlets  
Easy clean nozzles  
Flow Rate: 9.5L/min 2.5 GPM



Product shown is only for installation display purpose



## Body Jets

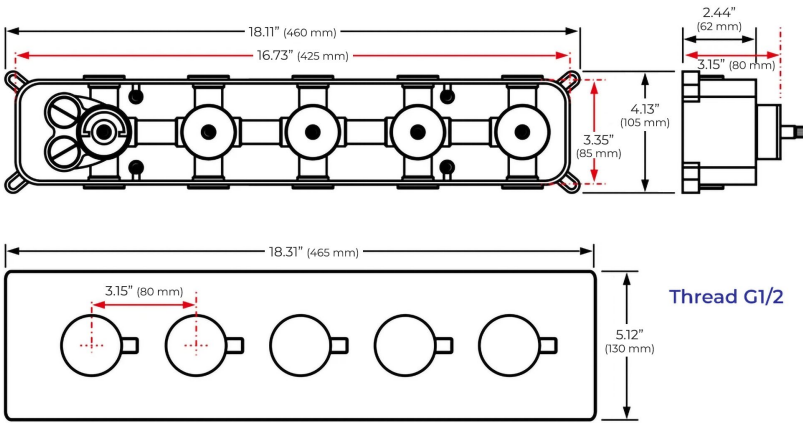


### FEATURES

- Material: Brass
- Base Plate Height: 5-1/8"
- Base Plate Width: 5-1/8"
- Jet Surface Area: 3-1/8"
- Surface Depth: 1/4"
- Adjustment Angle: 5°
- Male NPT Connection: 1/2"
- Maximum Flow Rate: 2.5 GPM (9.5L/min) max @ 80 psi

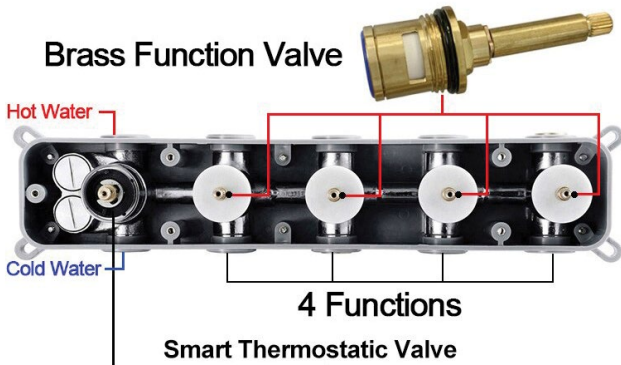
All dimensions and specifications are nominal and may vary. Use actual products for accuracy in critical situations.

## Shower Mixer

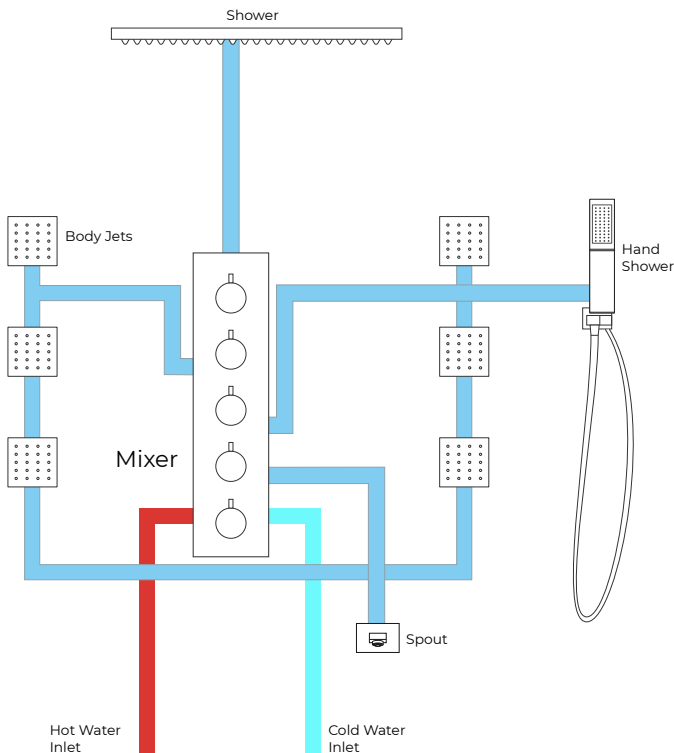


All Function can be used at the same time.

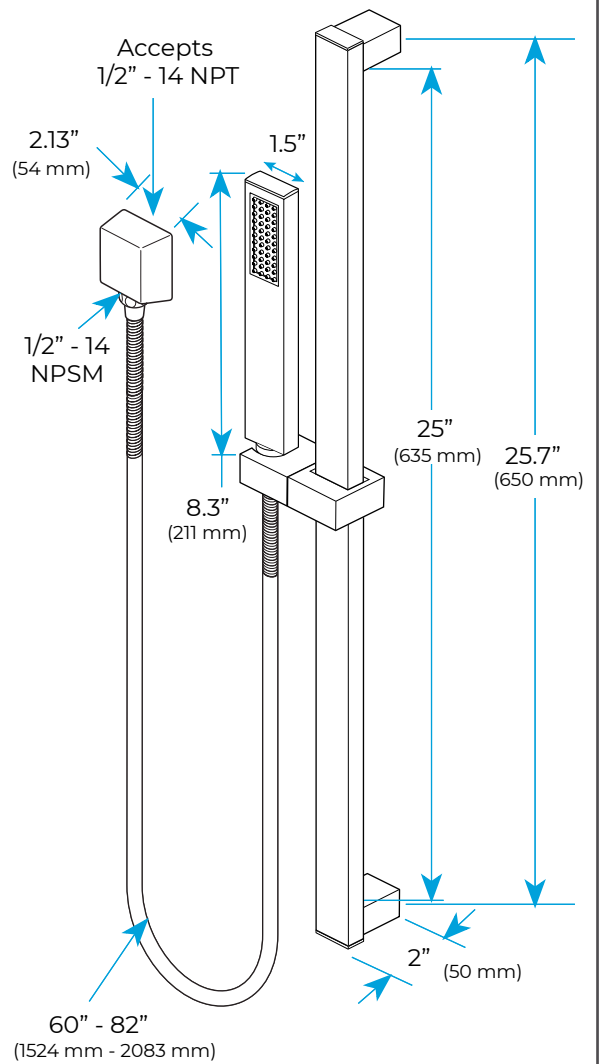
### Brass Function Valve



## Shower Mixer Connections



## Hand Shower



Flow Rate: 2.0 GPM / 7.6 LPM